

# THE FAN FLYER

JULY 2021



S&P USA

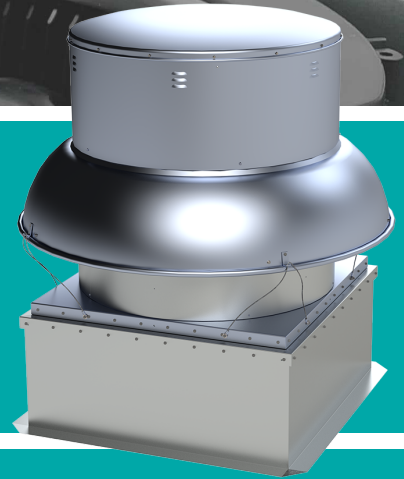
ADVANCING VENTILATION



PCLP & PCLXP - PREMIUM CHOICE LOW PROFILE MODELS

## ON SHELVES NOW

- S&P USA's S-Series Centrifugal Roof Exhaust Fans with optional High-Wind Tie Down Kit are now listed with the Texas Department of Insurance under Product Evaluation RV-126 for wind load and windborne debris resistance per IRC/IBC 2018.



## LET'S LEARN WITH SENIOR DESIGN ENGINEER, NICK THIESSEN!



In our latest video, we're learning more about Bearings! Bearings reduce friction and allow for smoother fan rotation, keeping a fan at optimal performance. Learn how to determine a bearing's lifespan and the high quality of S&P USA's bearings, [here](#).

## NEW TOOLS

- Ready to purchase S&P USA products? Use our new Rep Locator to find the S&P USA Representative for your area.
- Learn how to pair and arrange S&P USA products to create a balanced Outside Air Solution on our code solutions page.

## S&P UNIVERSITY

S&P University offers the information necessary to promote the S&P product line and is available to you for FREE at any time.

[START LEARNING](#)

## ON THE BLOG

- PCLP and PCLXP: Which Low Profile Exhaust Fans To Use
- Breaking it down with Brandon Black, Final Assembly Supervisor
- Quality Air for a Healthy Lifestyle, Increasing your IAQ

## SUPPLY CHAIN CHALLENGES

Nationwide supply chain challenges are affecting all manufacturers. These obstacles may result in material delays, higher product and shipping costs. Learn more about what we're doing and what you can do to help [here](#).