



# PCD 150 CEILING MOUNT FAN

Experience efficient ventilation with our multi-speed ceiling mount fan, powered by a high-performance EC motor, for residential and light commercial spaces. Perfect for homes, offices, restrooms, and workshops, ensuring optimal air quality while minimizing energy costs.



AutoFlo is an innovative technology that automatically increases fan speed in response to rise in static pressure, helping to sustain the set airflow (CFM) as system resistance increases.

## SPECIFICATIONS

### Standard Features:

- Designed for quiet continuous operation as a ceiling-mounted exhaust fan.
- Set to approximate speeds of 150 CFM and 100 CFM. Equipped with knob for speed adjustment.
- Optional dual-speed operation, allowing low-speed continuous use and high-speed activation via a switch (switch not included) or humidity sensor.
- Built-in humidity sensor that lets the fan run on a user-adjustable setpoint.
- Strong double-inlet centrifugal blower equipped with an energy-efficient EC motor (commonly referred to as DC), featuring AutoFLO™ technology.
- Built-in time delay setting.
- 22 GA galvanized steel housing construction.
- Built-in overload disconnect for safety and longer motor life.
- 6" round duct connection.
- Shipping weight: 15 Lbs.
- Warranty: 5 year against manufacturing defects

### Optional General Accessories:

- Plastic Grille: PCGP
- Metal Grille: PCMG
- LED Light Grille: PCLEDKP
- Motion Sensing Grille: PCMRGP
- Motion Sensing LED Lighted Grille: PCDLEDMGP
- Aluminum Exterior Fixed Grille: GRA-150
- Plastic Louvered Shutter: PER-150W
- Vibration Isolation Kit: PC-VKIT

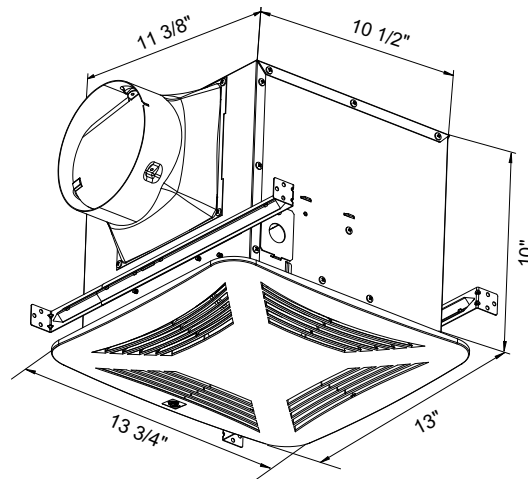
### Optional Electric Accessories:

- ASHRAE 62.2 Bath Fan Ventilation Controller: FT622
- Programmable Fan Timer 24 Hour/7 Day: FT247
- 3-Switch Control: PC3S
- Push Button Timer: EPBT-60
- Fan/Light Delay Timer Switch: FLTD-60

## CAN BE USED TO COMPLY WITH

ASHRAE STANDARD 62.1	IRC 2021
ASHRAE STANDARD 62.2	IMC 2021
ASHRAE STANDARD 90.1	IECC 2021

## DIMENSIONS



## CERTIFICATIONS





# PCD 150 CEILING EXHAUST FAN



S&P USA Ventilation Systems, LLC certifies that PCD150 shown herein is licensed to bear the AMCA Seal. The ratings shown are based on tests and procedures performed in accordance with AMCA 211 and comply with the requirements of the AMCA Certified Rating Program.

## AMCA FAN PERFORMANCE

AIRFLOW PERFORMANCE (CEILING EXHAUST)											
SPEED SETTING		STATIC PRESSURE IN INCHES W.G.									
		0	0.1	0.2	0.25	0.375	0.4	0.5	0.75	0.8	1
150 CFM	CFM	156	154	159	159	159	159	157	154	153	146
	HP	0.014	0.02	0.028	0.032	0.037	0.039	0.044	0.062	0.064	0.082
100 CFM	CFM	116	111	110	110	109	109	109	106	105	105
	HP	0.008	0.012	0.019	0.023	0.027	0.027	0.032	0.048	0.05	0.064

Note: Performance certified is for installation Type B: Free Inlet, Ducted Outlet. Performance rating do include the effects of appurtenances. AMCA Licensed performance ratings.

## HVI FAN PERFORMANCE

DUCTING	DISCHARGE	SPEED	SP (IN W.G.)	RATED AIRFLOW (CFM)	RATED SOUND (SONES)	INPUT POWER (WATTS)	RATED EFFICACY (CFM/W)	MEETS EFFICIENCY REQUIREMENTS FOR DC, CO, MA, MD, NJ, NV, NY, OR, RI, VT, WA
6"	Horizontal	HS	0.1	150	2	16	9.4	Yes
		HS	0.25	149				
		LS	0.1	100	0.5	10	10.0	
		LS	0.25	98				

## FEATURED ELECTRICAL ACCESSORIES



ASHRAE 62.2 Bath Fan Ventilation Controller: FT622



Programmable Fan Timer 24 Hour/7 Day: FT247



3-Switch Control: PC3S

